

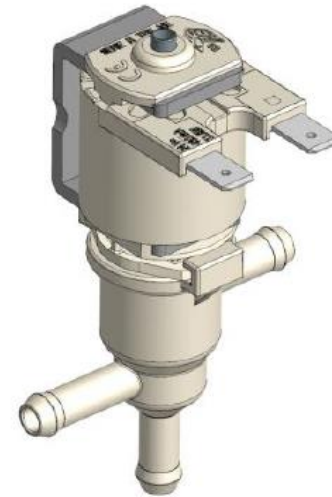


RPE Srl

Leader in Fluid Management Control

100%
MADE IN ITALY

R2 Solenoid Valve



**An economical solution for a
medium separation exchange valve**

Patent Pending



R2 3/2 way valve

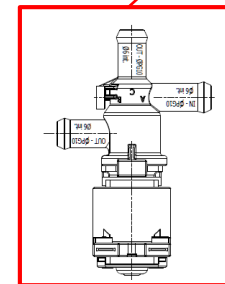
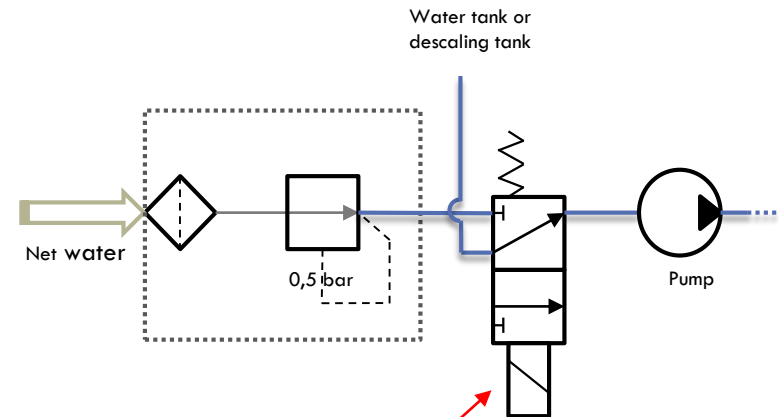
Application

The **R2** is a fluid separation valve with the perfect compromise in terms of advantages and costs.

Here is an example that shows one of the many different applications it can be used with:

Often at the inlet of coffee machine hydraulic circuit it is necessary to control a **double water inlet** (either from city water or a tank) and to have the possibility to sanitize the system with cleaning agents.

The PPH material we use and the fluid separation system allows this valve to handle aggressive chemicals, guaranteeing reliability with low costs.





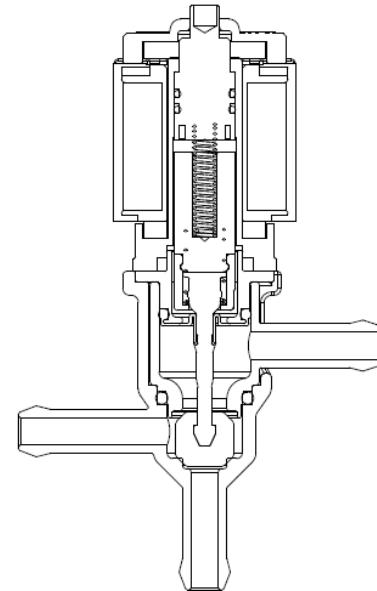
R2 3/2 way valve

100%
MADE IN ITALY

3

Product Highlights

- **Easy installation**
- **Medium separation**
- **Minimal Heat Loss**
- **UL coil on request**
- **Competitive Price**
- **Corrosion Resistant & Long Service Life**





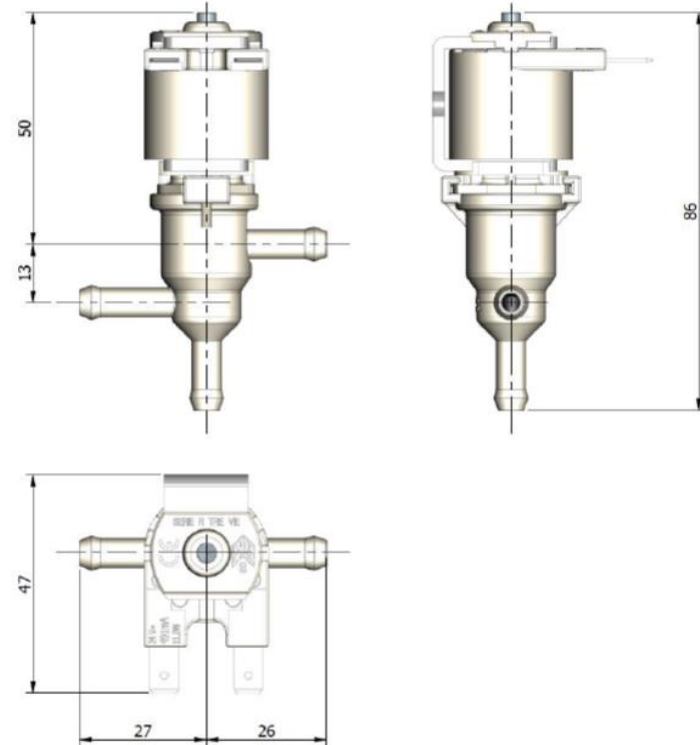
R2 3/2 way valve

100%
MADE IN ITALY

4

Technical Informations

- • Suitable for water and aggressive chemical agents
- • Valve body made of PPH
- • Max. operating temperature 60 °C
- • Max. operating pressure 0.8 bar
- • Max. back pressure 0.8 bar
- • Nominal diameter: 3.5 mm
- • Connection: Hose Tail 6.5mm
- • Voltage: 24Vdc or 230Vac
- • UL coil on request



* Depending by DN



NOTHING GREAT HAS EVER BEEN DONE WITHOUT PASSION

5



www.rpesrl.it