



RPE Srl

Leader in Fluid Management Control

100%
MADE IN ITALY

R4 Series

**3/2 way Solenoid Valve with medium
separation for Coffee application**



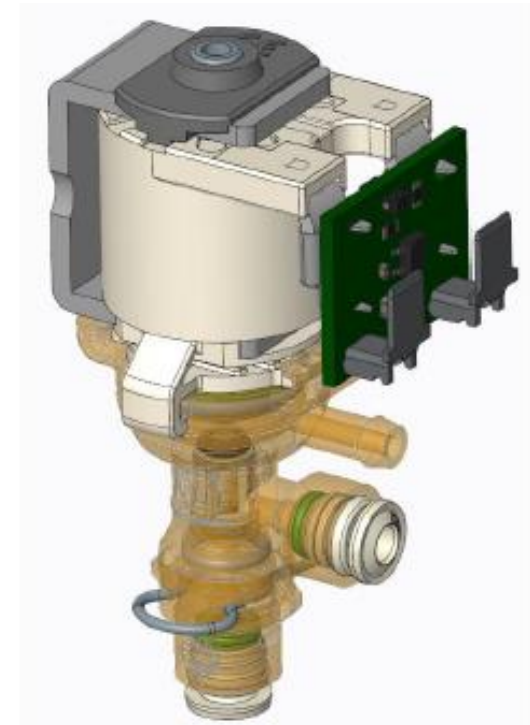
R4 Series 3/2 way valve

100%
MADE IN ITALY

2

Product Highlights

- Medium separation
- Easy installation
- Self-cleaning System
- Minimum heat loss
- UL approved coil available
- Use of materials in accordance to NSF
- Corrosion resistant & increased service life





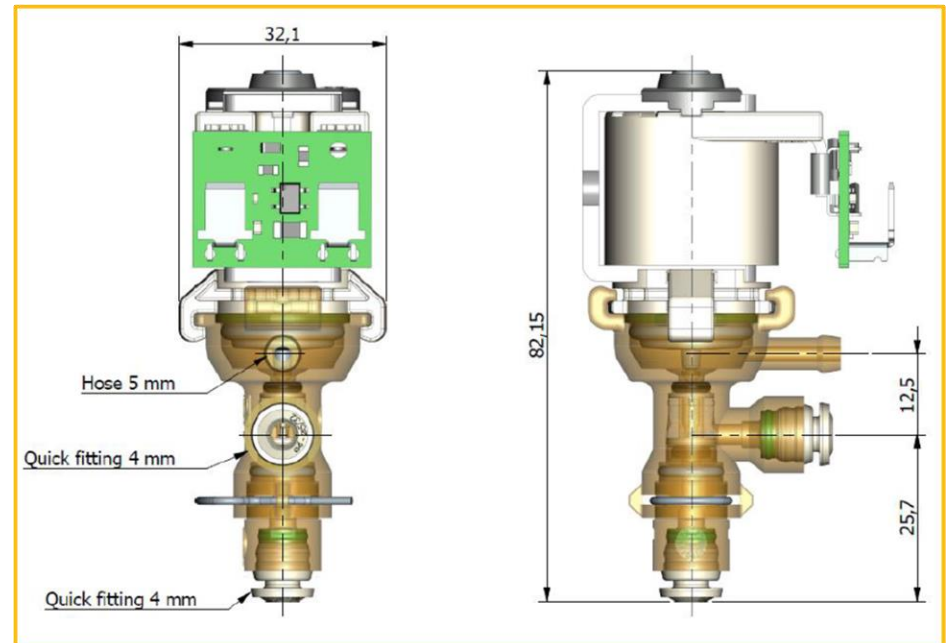
R4 Series 3/2 way valve

100%
MADE IN ITALY

3

Technical Information

- • Suitable for fluids and steam
- • Valve body made of PPSU
- • Max. operating temperature 140°C
- • Max. operating pressure 18 bar
- • Max. back pressure 10 bar
- • Nominal Diameter: 2mm
- • Connection sizes: IN Quick Connect 4mm – OUT Quick Connect 4mm – Vent Hose Tail
- • Voltage: 24VDC – 22W
- • ED: 100%

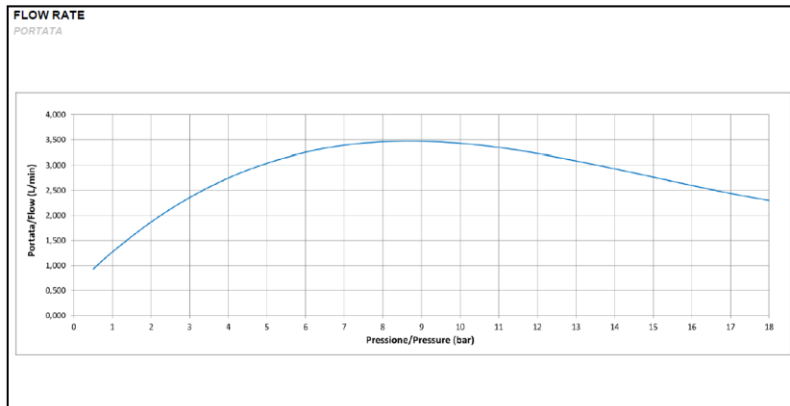




R4 Series 3/2 way valve

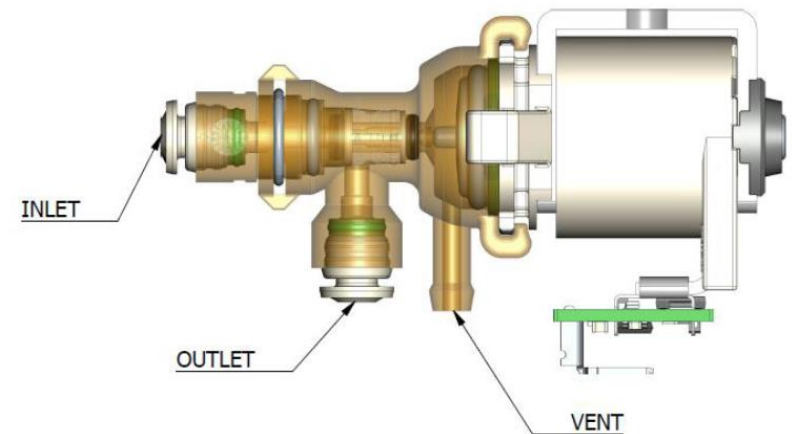
100%
MADE IN ITALY

Flow Rate



Hydraulic circuit

INSTALLATION ADVICE FOR OPTIMIZE CLEANING





NOTHING GREAT HAS EVER BEEN DONE WITHOUT PASSION

5



www.rpesrl.it