



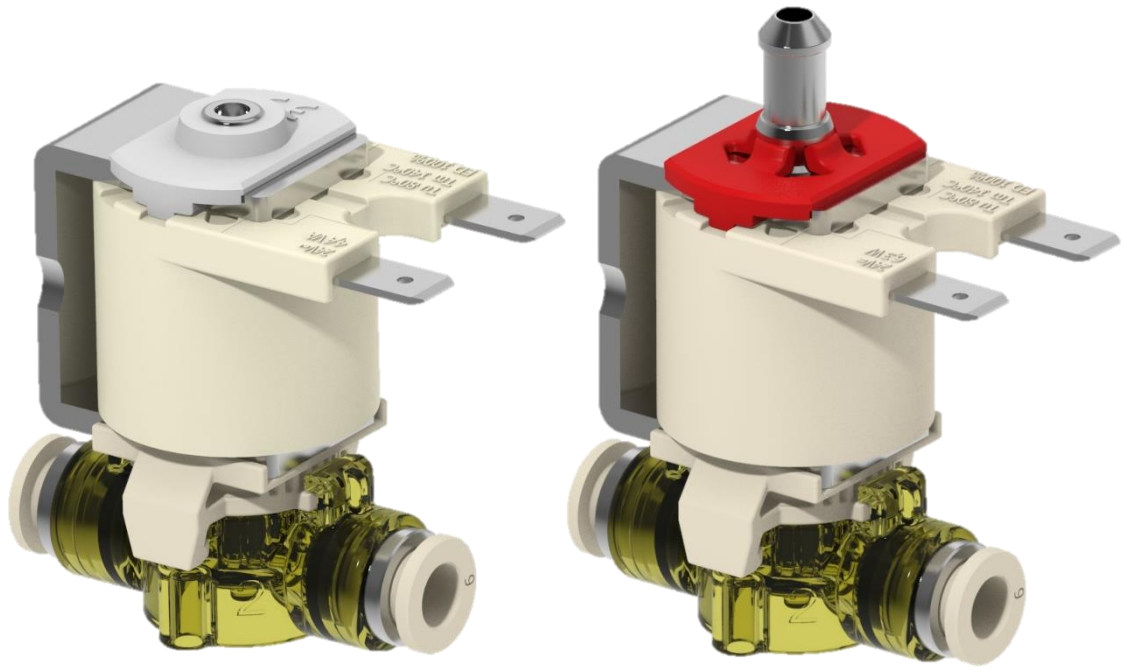
RPE Srl

Leader in Fluid Management Control

100%  
MADE IN ITALY

# TV Series

2/2 Way e 3/2 Way





# Common features



100%  
MADE IN ITALY

2

## Working temperature:

room	fluid
0-80°C	0-140°C

## Inlet/outlet:

pushfit Ø4mm	pushfit Ø6mm	fork
		

**Electrical connection:** Faston

**Valve:** direct opening

## Solenoid voltage:

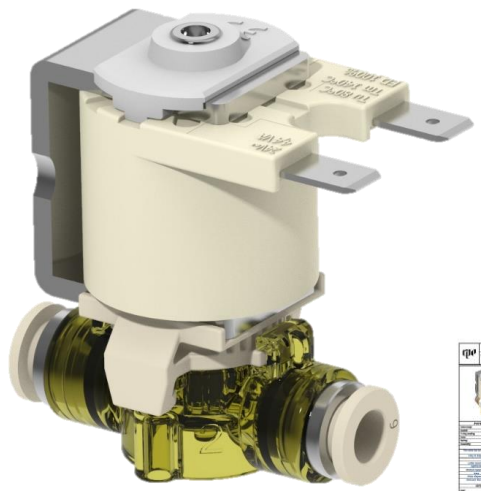
12V DC	24V DC	24V AC	110/120V AC	230V AC
--------	--------	--------	-------------	---------



# 2/2 Way

100%  
MADE IN ITALY

3



**Control:** NC

**Nominal diameter and pressure:**

Ø1mm	Ø1.5mm	Ø2mm	Ø2.5mm	Ø2.7mm
0-18bar	0-18bar	0-15bar	0-11bar	0-9bar

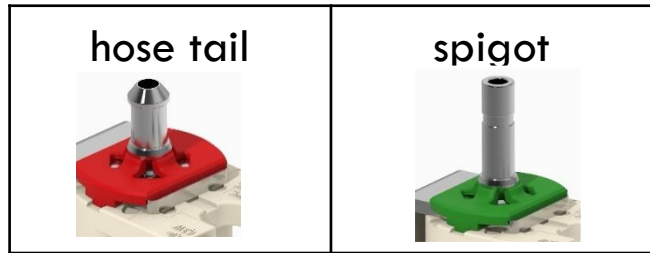


# 3/2 Way

100%  
MADE IN ITALY

4

## Connection GATE 3:

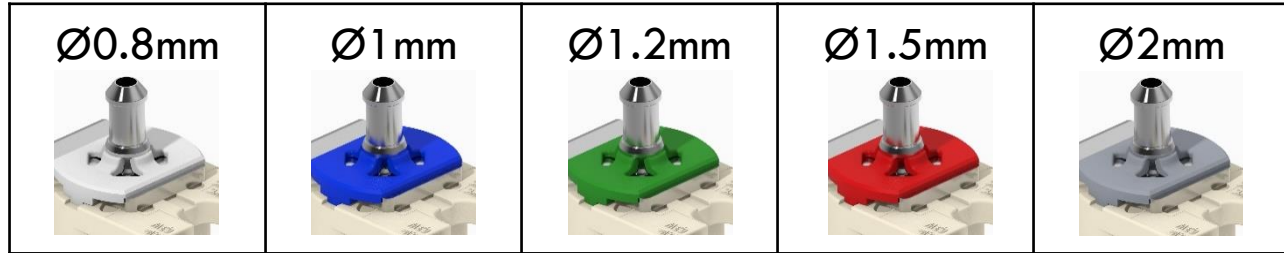


Control: NC - U

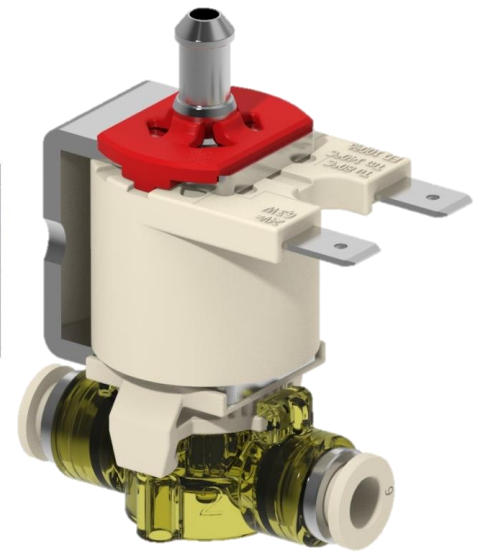
Nominal diameter:

Ø1mm	Ø1.5mm	Ø2mm	Ø2.5mm	Ø2.7mm
------	--------	------	--------	--------

Nominal diameter GATE 3:



Pressure: refer to Technical DataSheet



**Please note:**  
Plate's color identifies GATE  
3 nominal diameter

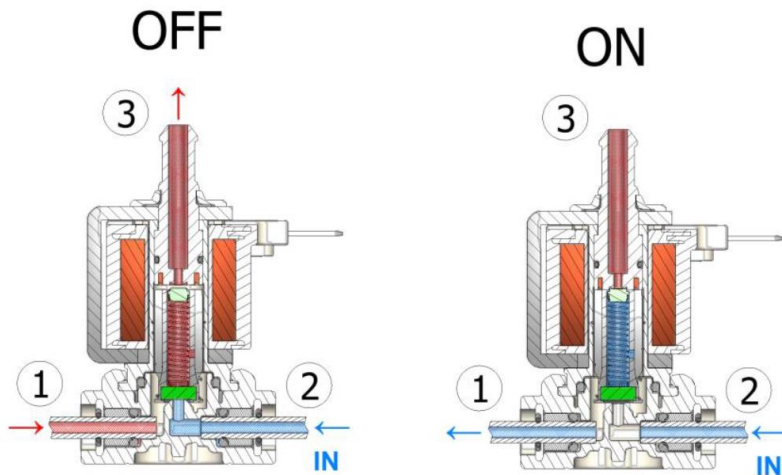


# 3/2 Way

100%  
MADE IN ITALY

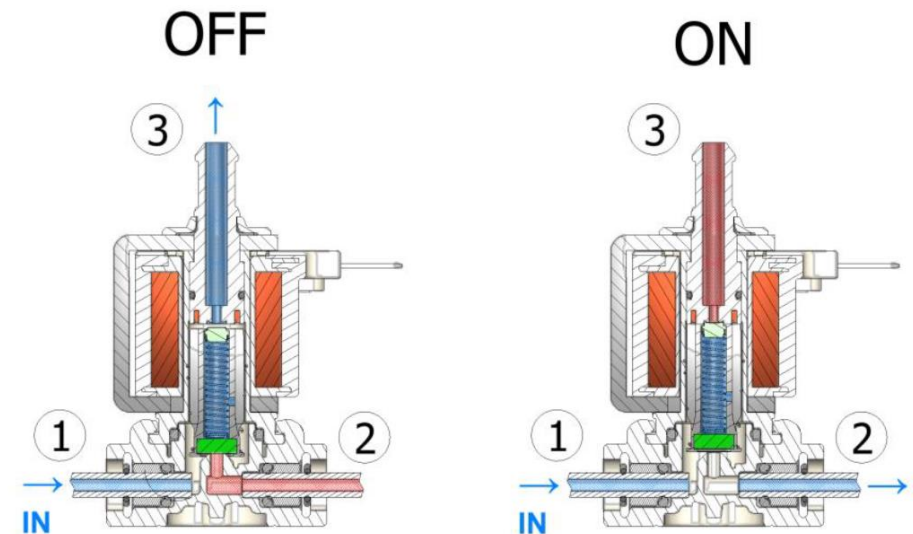
5

## Working scheme:



### Normally Closed (NC)

Applications: mainly coffee machine



### Universal (U)



Applications: coffee machine, appliance, medical equipment, iron, water dispenser



# Solenoid voltage coding

100%  
MADE IN ITALY

6

	12V DC	24V DC	24V AC	110/120V AC	230V AC
<b>UL</b> 	S196	S204	S202	S198	S200
<b>IMQ</b> 	S197	S205	S203	S199	S201

TV2C3A00AS204

Dn 2,5  
24DC UL



**Please note:**

Valve is identified by a label with code,  
voltage and inner nominal diameter



# Add on

100%  
MADE IN ITALY

7

## Hose tail adapter:

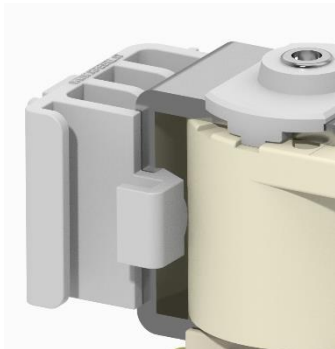
Ø4mm



Ø6mm



## Fixing bracket:










# Certification

100%  
MADE IN ITALY

8

NSF 169	MOCA	UL	ENEC	IMQ CSV
				
			According to ISO-60730-2-8	According to ISO-60335 for high temperature/steam





# Thanks

100%  
MADE IN ITALY



Nothing great has ever been done without passion