

# "PRO" series programmer

- Instructions for use and programming



Thank you for using the RPE® PRO Series battery programmer. The PRO Series controller is equipped with the most modern and easy to use programming technology.

The following instructions explain how to use the programmer; You should pay particular attention to the NOTES which provide important tips for the programmer usage.



## PROGRAMMER SPECIFICATIONS

The PRO series programmer is able to operate simultaneously a MASTER valve and an irrigation Controller using RPE® latching 9V solenoids.

The controller is watertight, therefore it can be installed inside sumps.

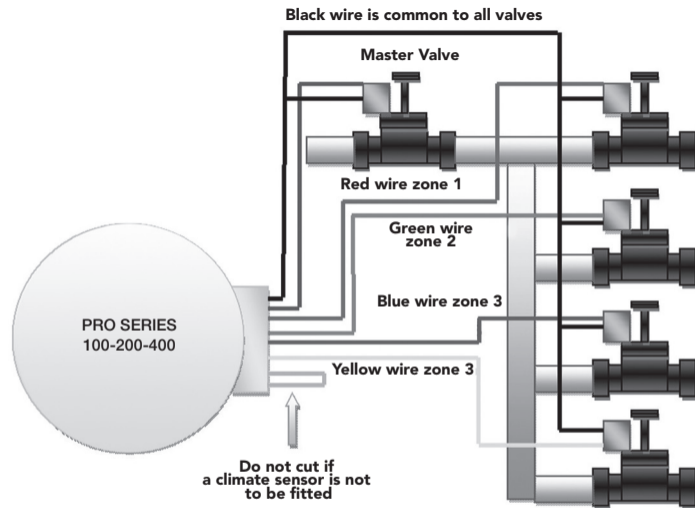
But it is important to dry the programmer before opening the battery and programming covers. It is also important to make watertight all the connections in order to preserve all electronic components from faults or breakdowns

## INSTALLATION INSTRUCTIONS

Place the valve in the well, connect the controller support to the RPE® Bistable solenoid, connect the cables to the latching solenoids.

For proper installation of the programmer with RPE valves is necessary that the colour of the wires between the solenoid and the programmer are connected correctly:

**NOTE:** The brown wire can also control a 9V latching relay to activate a pump or other utilities.



Do not connect the 9V battery until you have connected the various zone cables.



Connect the **9 volt ALKALINE** battery, close the lid and check the battery charge through the LED in the front panel. The display is a sequence of LED flashes, coded as follows:

<b>GOOD LEVEL</b>	(battery charged) three consecutive flashes
<b>LOW LEVEL</b>	(battery charge limit) two consecutive flashes
<b>INSUFFICIENT LEVEL</b>	(battery flat) one flash

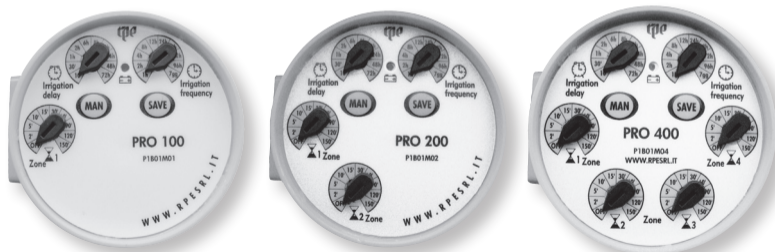
With a **GOOD** battery level the programmer will work correctly.  
If the charge is **INSUFFICIENT** the programmer will not function and you will have to replace the battery.

**NOTE:** The use of **NON-ALKALINE** or a **DAMAGED** battery could result in serious permanent damage to the electronic circuit.  
It is important to insert the battery with the programmer completely dry: if moisture enters the compartment, the battery may deteriorate.  
During the battery test, a closing pulse is sent to the solenoid valves.  
For this reason the solenoids should be connected to the programmer before you insert the batteries.

## CONNECTING THE RAIN SENSOR

The PRO series programmer can be connected to a **MINI CLICK** sensor (not included) with wires. Cut the white wires and connect them to the two wires of the rain sensor using waterproof connectors. The programmer is compatible with a normally closed (NC) climate sensor that does not need power. If the climate sensor is activated during an irrigation cycle, the execution of the program will be stopped, until the inactivity condition of the sensor.

## PLANNING PANEL



**SELECTOR “Irrigation delay”:** means the time that must elapse between the cycle memory and the first irrigation.

**SELECTOR “Irrigation frequency”:** means the time that must elapse between the first and subsequent irrigation.

**SELECTOR “1-2-3-4 Zone”:** means the amount of irrigation time in the selected area.

**“MAN” BUTTON:** has the function to initiate an irrigation cycle with immediate effect and for the pre-set time as stored in the program.

**NOTE:** If you run a manual watering cycle before storing the program, the programmer will run with default time of 30 secs.

**“SAVE” BUTTON:** has the function of storing the selected cycle (position), and will commence counting the time delay.

**NOTE:** The memory function cannot be activated if the battery test or an irrigation cycle is in progress.  
The stored irrigation data timings are also used for manual watering cycles.

## PROGRAMMING

The setting is done through the dials on the front panel. To create an irrigation program rotate the selectors to select the desired values.

The delay time which is selected with “Irrigation delay” will start from the moment you press “SAVE” button.

**NOTE:** Performing a manual cycle after saving a program does not delay the commencement of the first automatic irrigation cycle.

The time selected with the selector “Irrigation frequency” will be counted from the beginning of the first irrigation until the beginning of the subsequent irrigation.

**NOTE:** If you set a time of frequency lower than the total time of irrigation, the irrigation programmer will not run the excess irrigation time. (e.g.: frequency 1 hour, duration 90 min. - irrigation time will be for 90 min and the second cycle will not start).

The time selected with the selector “1-2-3-4 Zone” will be used to maintain the valve open on the affected area. The execution of various irrigation areas will occur starting from zone 1 to zone 4 (where applicable).

**NOTE:** The master valve opens a few seconds before the first zone is activated in the program and remains open for as long as irrigation of various areas (1-4) is required.



After setting the various operating times, press and hold the “SAVE” button for at least three seconds. In this way the programmer will save the data set and will begin to count the delay time before activation.

**NOTE:** After pressing the “SAVE” button for three seconds, the controller’s LED will flash three times. This indicates successful data storage and the commencement of delayed start counting.

If, after storing the program, new irrigation data is selected, the programmer does not store the new selection until you press the SAVE button.

You cannot save the program during an irrigation cycle or during the initial battery test.

## MANUAL IRRIGATION

You can run at any time a manual mode irrigation by pressing and holding the “MAN” button for three seconds.

The run time used will be that stored for the automatic program. The confirmation of the start of the manual cycle will be indicated by two fast flashes of the LED on the front panel.

To stop watering before the end of the set time press and hold the “MAN” button for three seconds. Confirmation of the manual cycle stopping is shown by two quick flashes of the LED on the front panel.

**NOTE:** You cannot run the manual cycle during the battery test or during an automatic cycle. If a manual cycle is started before the data storage, default factory times will be set (30 sec).

## PROGRAMMER MEMORY

The controller has a volatile type of memory that is erased when the battery is replaced.



## PROGRAMMER POWER SUPPLY

The programmer works only with **9V ALKALINE BATTERIES**, be sure **NOT** to use rechargeable or other non-alkaline batteries. The use of other batteries than those prescribed will invalidate the warranty.

A 9-volt alkaline battery can power the system for one year.

**NOTE:** If the programmer is not used for a long period, remember to remove the battery to prevent any potential acid leakage damaging the controller.

## SET PROGRAM - TRACEABILITY FORM

Cut the paper along the dotted lines, fill in the required values, keep it to check the settings stored in the programmer.

## IRRIGATION PROGRAM SET

DATE: ----- TIME: -----

START DELAY				
FREQUENCY				
DURATION TIME ZONE 1				
DURATION TIME ZONE 2				
DURATION TIME ZONE 3				
DURATION TIME ZONE 4				





## IRRIGATION PROGRAM SET

DATE: ----- TIME: -----

START DELAY				
FREQUENCY				
DURATION TIME ZONE 1				
DURATION TIME ZONE 2				
DURATION TIME ZONE 3				
DURATION TIME ZONE 4				



## IRRIGATION PROGRAM SET

DATE: ----- TIME: -----

START DELAY				
FREQUENCY				
DURATION TIME ZONE 1				
DURATION TIME ZONE 2				
DURATION TIME ZONE 3				
DURATION TIME ZONE 4				





**RPE s.r.l.**

Via S. Ambrogio, 3  
22070 Carbonate (CO) - Italy

Tel. +39 0331 832515

Fax +39 0331 832501

**info@rpesrl.it - www.rpesrl.it**