



**RPE Srl**  
**Leader in Fluid Management Control**

**100%**  
**MADE IN ITALY**

# **Series R Dispenser**

**Solutions to the beverage market**  
**Whether you make cold sparkling water, hot point**  
**for a relaxing cup of tea or dispensing colored**  
**fruit juices....**

**We have the right solution.**

**With technological advancements, service and quality products since more**  
**than 40years, we know how.**

**[www.rpesrl.it](http://www.rpesrl.it)**



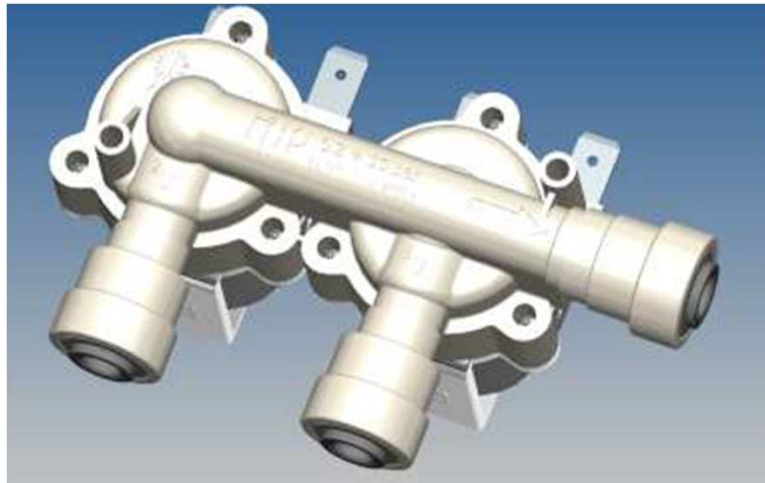
# RPE Series R –Dispenser

## Main technical features

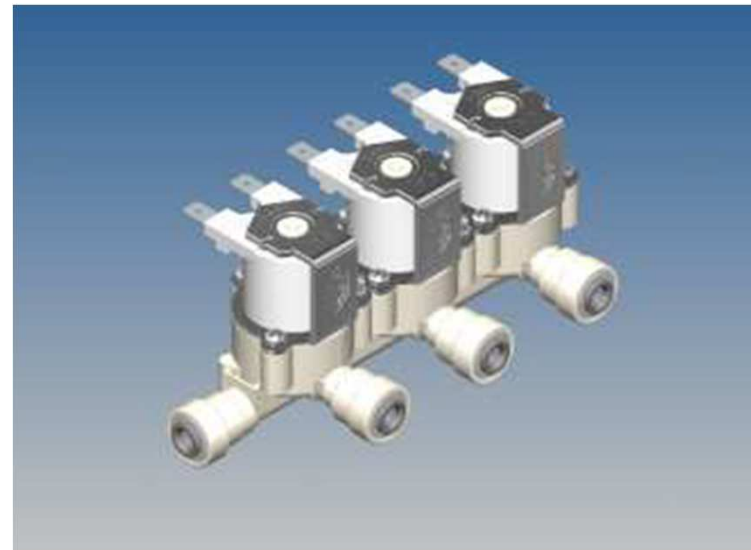
100%  
MADE IN ITALY

2

available as:  
2 IN –1 OUT



available as:  
3IN –1 OUT





# RPE Series R –Dispenser

## Main technical features

100%  
MADE IN ITALY

3

### WORKING SPECIFICATIONS

- Working pressure: 0,2 - 10 bar
- Room temperature: Tu 60°C
- Fluid temperature: Tm25°C – Tm 60° C-ED 100% - Tm 90° C (3 on-5 off)
- Orifice: ND 10 mm
- Control: Normally Closed (NC); Normally Open (NO); Latching

### PHYSICAL SPECIFICATIONS

- Valve body: PA 66 -30% GF
- Diaphragm: NBR; LSR
- Core: Stainless steel
- Coils: F class (155°)
- Assembly: Self-tapping screws

### INSTALLATION

- In any positions



WRAS



KTW

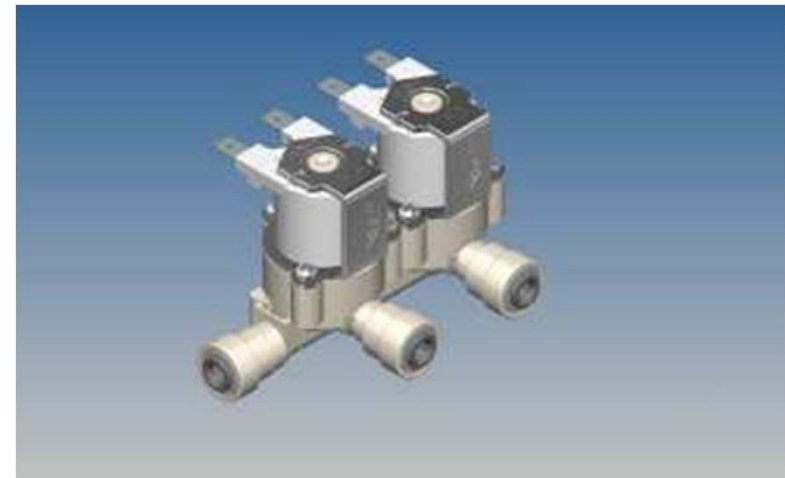


# RPE Series R –Dispenser Models and Connections

100%  
MADE IN ITALY

4

Model	2 Inlet	1 Outlet
R Dispensers 237 002	JG 1/4"	JG 5 mm
R Dispensers 237 192	JG 6 mm	JG 6 mm
R Dispensers 237 193	JG 8 mm	JG 8 mm
R Dispensers 236 002	M10x1	Male thread 1/4"



**NEW!**

Model	2 Inlet	1 Outlet
R Dispensers 237 128	JG 1/4"	JG 1/4"





# RPE SeriesR –Dispenser Models and Connections

100%  
MADE IN ITALY

5

Model	3 Inlet	1 Outlet
R Dispensers 325 192	JG 6 mm	JG 6 mm
R Dispensers 325 193	JG 8 mm	JG 8 mm
R Dispensers 325 125	M10x1	Male thread 1/4



**NEW!**

Model	3 Inlet	1 Outlet
R Dispensers 237 128	JG 1/4"	JG 1/4"



**KTW**



# RPE Series R –Dispenser Advanced Design for Mixing

100%  
MADE IN ITALY

6



RPE Series R –Dispenser  
Compact Design  
with one piece valve body:

- To minimize overall dimensions
- To reduce connections points
- To reduce potential leakage between components
- To reduce numbers of piping and fittings
- To reduce sub-components Machine's parts
- To make maintenance easy







# RPE Series R –Dispenser Advanced Design for Mixing

100%  
MADE IN ITALY

7

## RPE Series R –Dispenser

### Key features:

- Made out of First choice raw material
- Able to handle water of varying degrees of quality
- Able to cope with both high and low temperatures
- Meet the required corrosion resistance
- Are precise, accurate and repeatable
- Are reliable and have a long service life
- 100% testing before delivery





# RPE Series R –Dispenser market

100%  
MADE IN ITALY







# NOTHING GREAT HAS EVER BEEN DONE WITHOUT PASSION

9

Thanks for your attention



[www.rpesrl.it](http://www.rpesrl.it)