



RPE Srl
Leader in Fluid Management Control

100%
MADE IN ITALY

TD SERIES

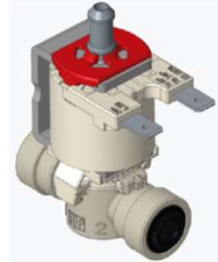
DIRECT ACTING SOLENOID VALVE



TD2S
2/2Way



TS2Z
2/2Way



TD3S
3/2Way



TD2D – TD2T
Manifold 2&3 IN 1 OUT



www.rpesrl.it



TD SERIES APPLICATIONS

100%
MADE IN ITALY

2



WHEN EVER SMALL DIMENSIONS, HIGH QUALITY,
TOP PERFORMANCES
ARE A MUST!



TD SERIES

100%
MADE IN ITALY

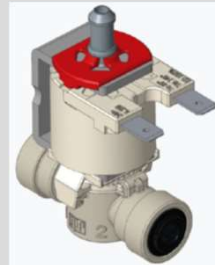
3

2/2 WAY



TD2S/TS2Z

3/2 WAYS
EXCHANGE VALVE



TD3S

MANIFOLD



TD2D – TD2T



TD SERIES

100%
MADE IN ITALY

4

WORKING SPECIFICATIONS

- DIRECT ACTING
- WORKING PRESSURE: UP TO 18 Bar – 261 psi
- FLUID TEMPERATURE: Tm 75° C
- ED 100%



PHYSICAL SPECIFICATIONS

- VALVE BODY: PA 66 30%FG
- CORE: STAINLESS STEEL AISI 431
- SPRING: STAINLESS STEEL AISI 316
- GASKET: EPDM - FKM



CONNECTIONS

- PUSH FIT JONH GUEST
- PILOT ASSEMBLY: BYONET
- ELECTRIC CONNECTIONS: FAST ON 6,3X0,8



(*) For detailed information refer to valve's technical data sheet – www.rpesrl.it



TD SERIES

100%
MADE IN ITALY

5

COMPACT AND VERSATILE

- RUBUST CONSTRUCTION
- SMALL DIMENSIONS
- THE MORE COMPLETE SERIES IN THE MARKET



EASY MAINTENANCE

- EASY INSPECTION
- HYGENE CONTROL



HIGH PERFORMANCES

- HIGH FLOW RATE
- LOW CONSUMPTION
- LIFE TEST ACCORDIN TO EN 60730.2.8
- ALL MATERIALS FOOD GRADE CERTIFIED



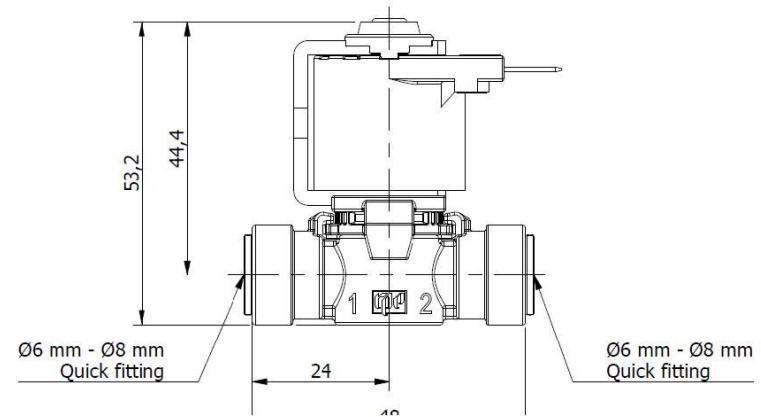


TD SERIES 2/2 WAY

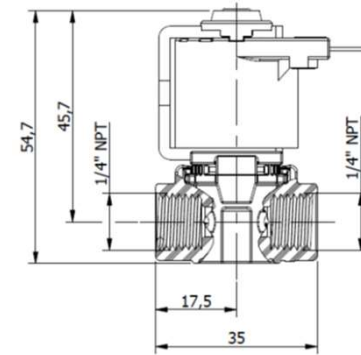
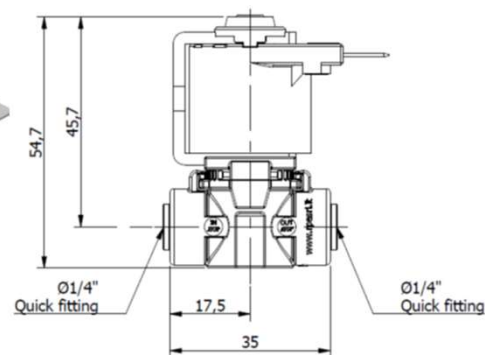
100%
MADE IN ITALY

6

TD2S



TD2Z





TD2Z

TD SERIES 2/2 WAY



TD2S

100%
MADE IN ITALY

7

Model (*)	IN PUSH FIT THREAD	OUT PUSH FIT THREAD	Nominal Diameter Ø mm	Medium Temp. Tm	Working Pressure Bar [PSI]	Duty Cycle	Power Supply
TD2S G3	JG 6	JG 6	Ø1.5 Ø2.0 Ø2.5 Ø 3.9	75°C 261°F	Min 0 Bar Up to 18 Bar Min 0 psi Up to 261 psi	ED 100%	12VDC
TD2S L4	JG 8	JG 8					24VDC
TD2S H1	JG 1/4"	JG 1/4"					24VAC
TD2Z H2	JG 1/4"	NPT Female 1/4"					24VDC UL
TD2Z M1	NPT Female 1/4"	JG 1/4"					24VAC UL
TD2Z M2	NPT Female 1/4"	NPT Female 1/4"					230V
							240VUL

(*) For detailed information refer to valve's technical data sheet – www.rpesrl.it



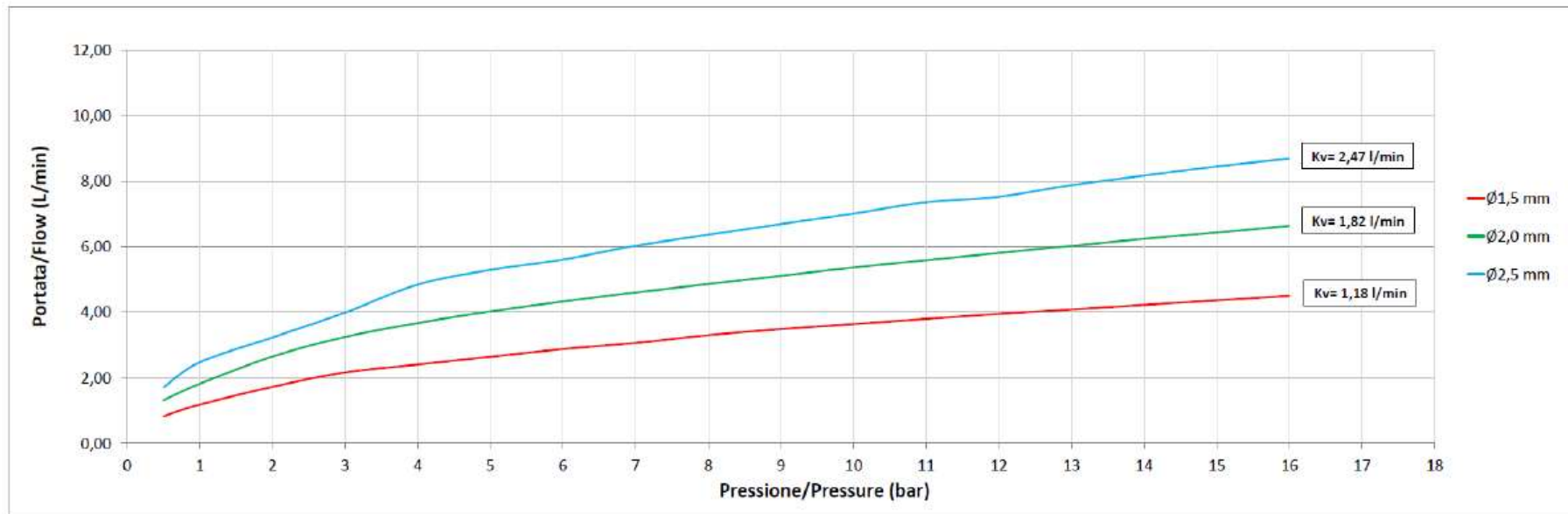
TD SERIES

2/2 Ways – Flow Rate



100%
MADE IN ITALY

8

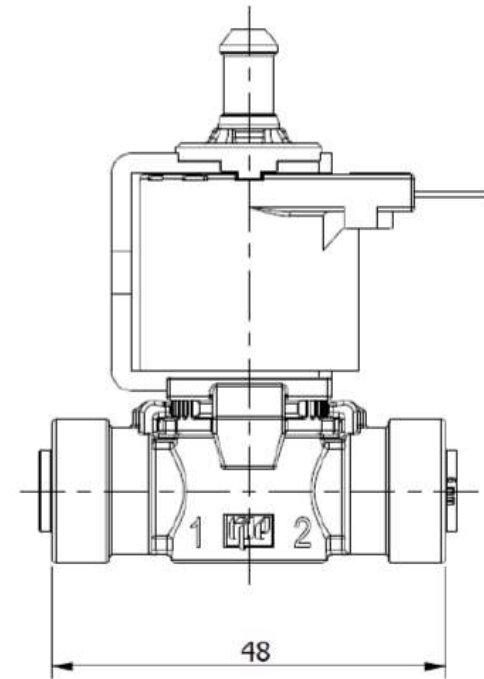
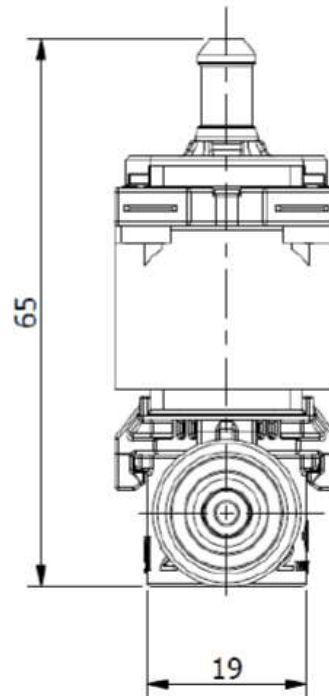
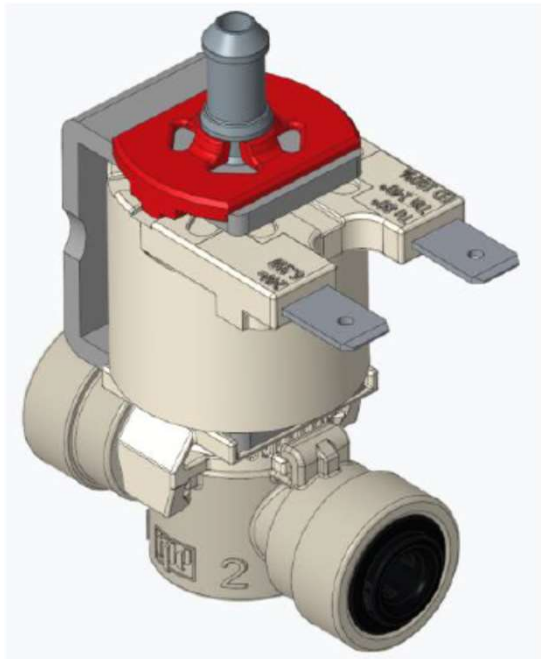




TD SERIES 3/2 WAYS EXCHANGE VALVE

100%
MADE IN ITALY

9





TD SERIES 3/2 WAYS EXCHANGE VALVES

100%
MADE IN ITALY

10

Model (*)	PORT 1 PUSH FIT	PORT 2 PUSH FIT	Nominal Diameter Port 2 Ø mm	PORT 3	Nominal Diameter Port 3 Ø mm	Working Pressure Bar [PSI]	Duty Cycle	Power Supply
TD3S G	JG 6	JG 6	Ø1.5 Ø2.0	Hose Tail PG 7	Ø0.8	Min 0 Bar Up to 16 Bar	ED 100%	12VDC
					Ø1.0			24VDC
TD2S L	JG 8	JG 8	Ø2.5	Spigot 6mm	Ø1.2	Min 0 psi Up to 232 psi		24VAC
					Ø1.5			24VDC UL
					Ø2.0		24VAC UL	
								230V

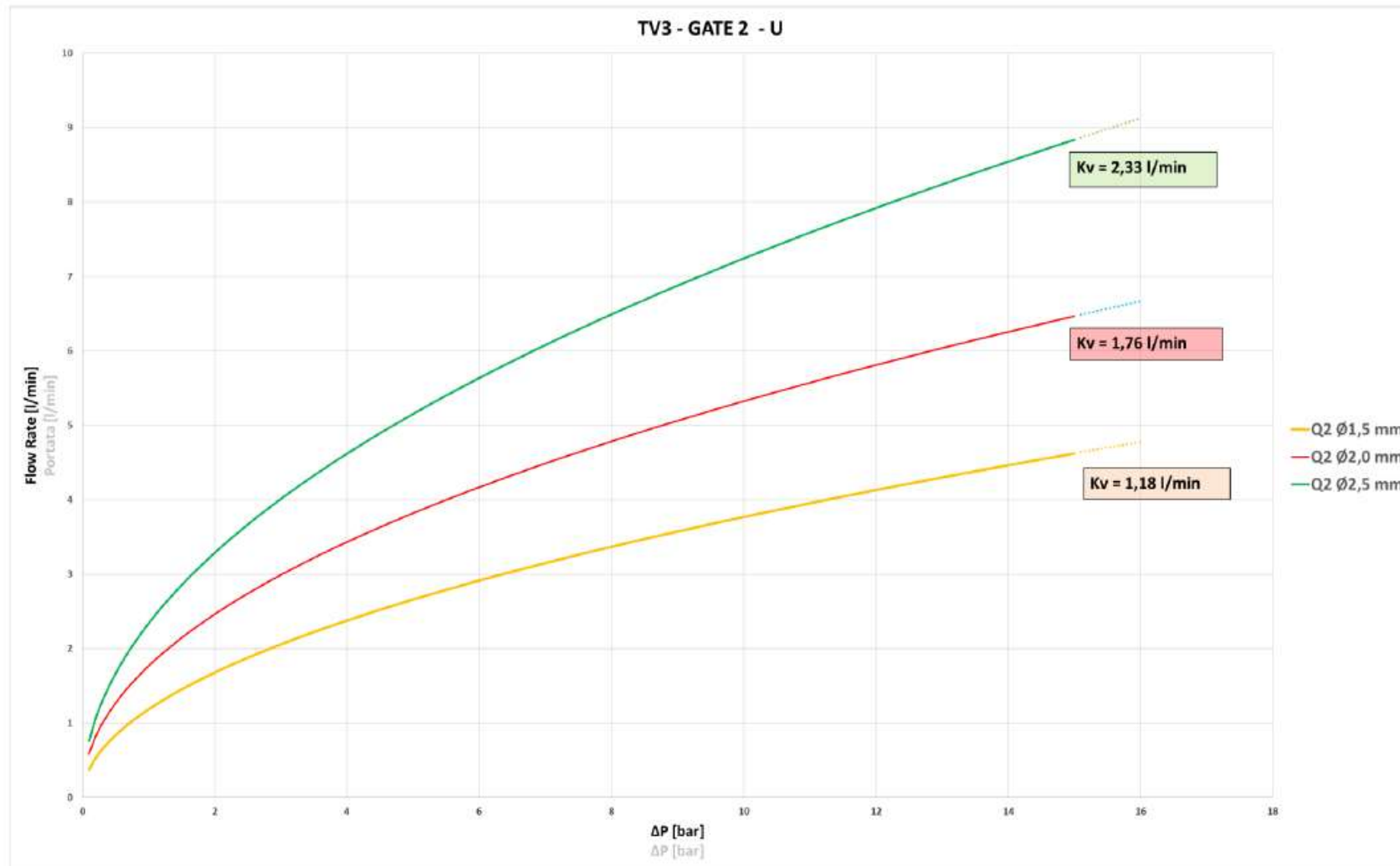
(*) For detailed information refer to valve's technical data sheet – www.rpesrl.it



TD SERIES 3/2 WAYS Flow Rates – Gate 2

100%
MADE IN ITALY

11

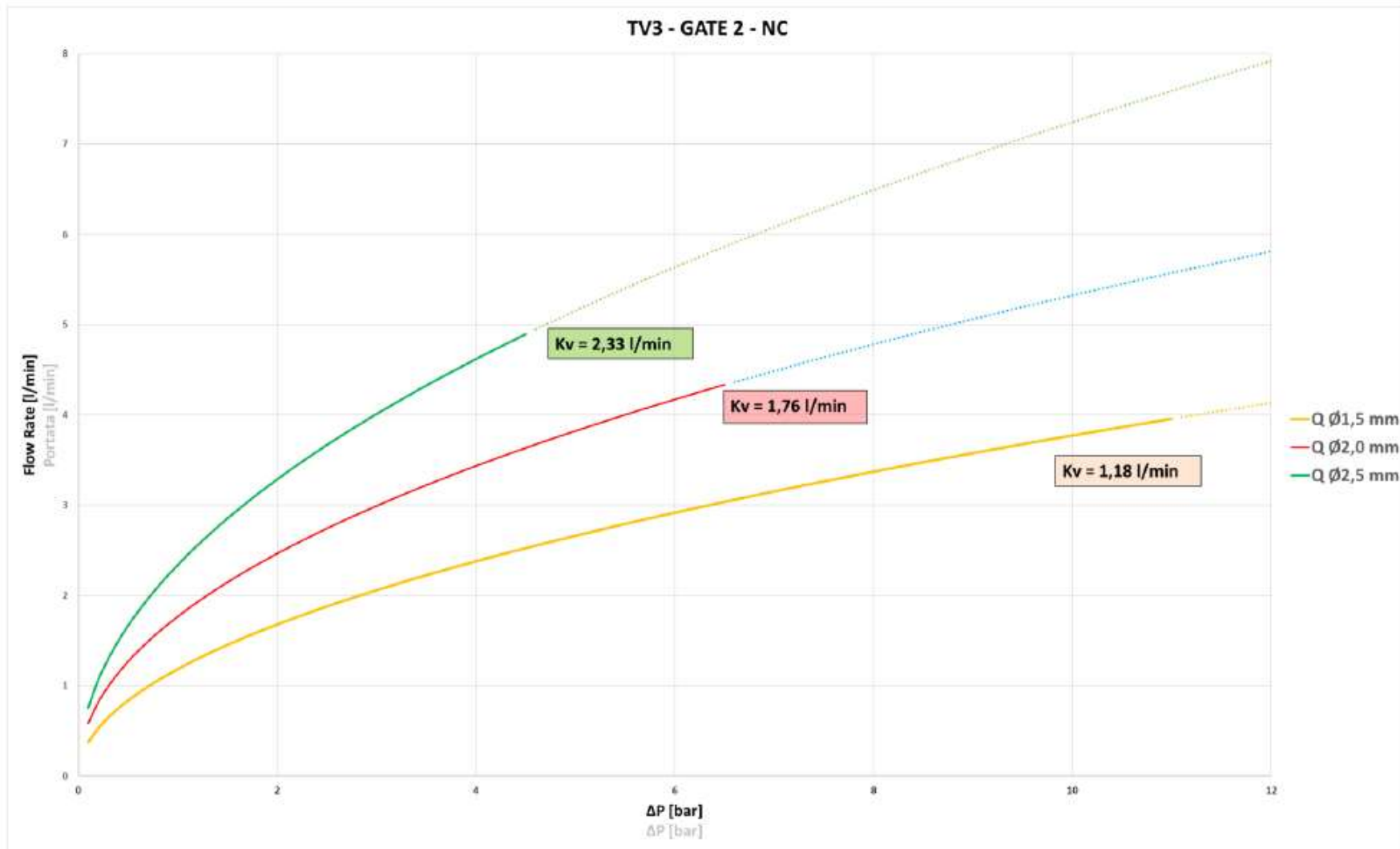




TD SERIES 3/2 WAYS Flow Rates – Gate 3

100%
MADE IN ITALY

12

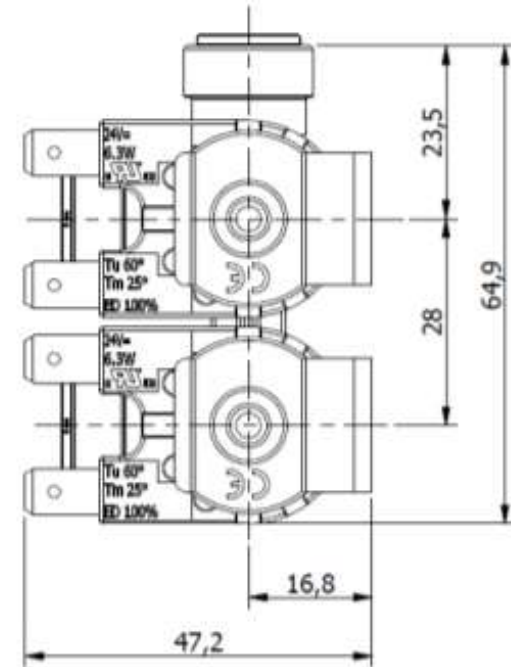
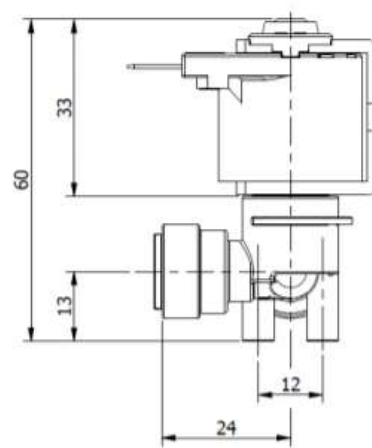
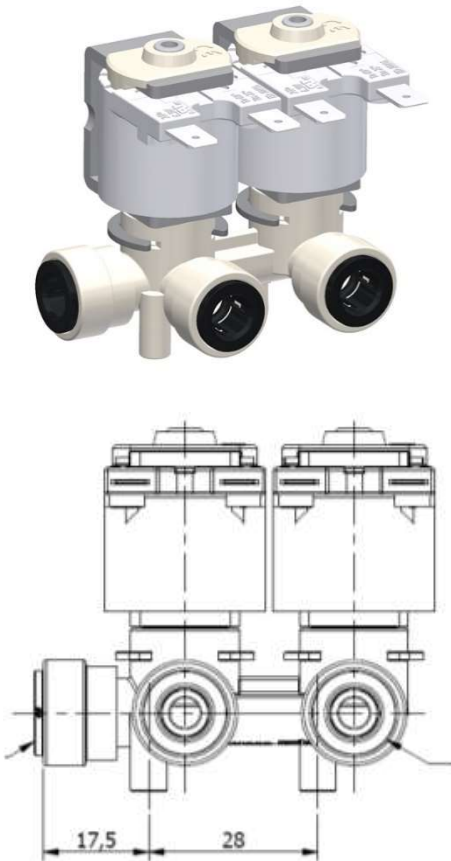




TD SERIES MANIFOLD TYPE

100%
MADE IN ITALY

13



TD2D

**Direct Acting
Manifold Type
2xIN – 1xOUT**

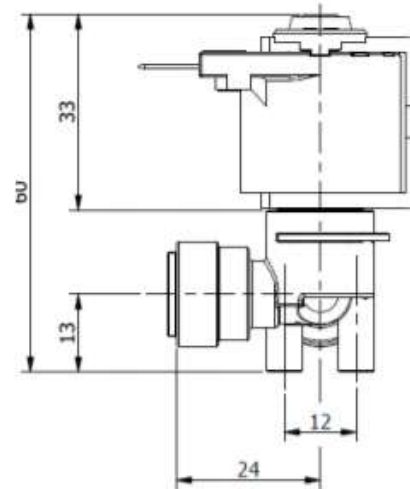
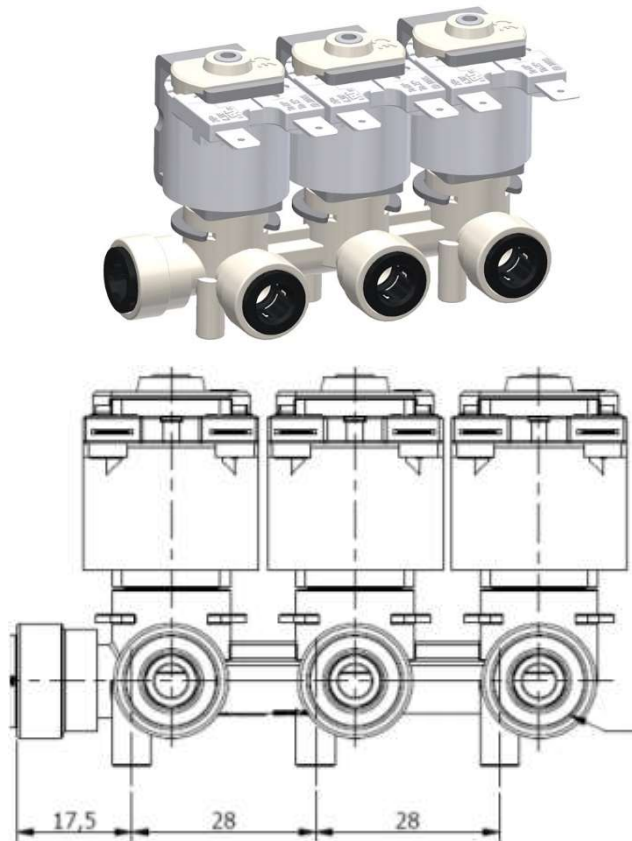




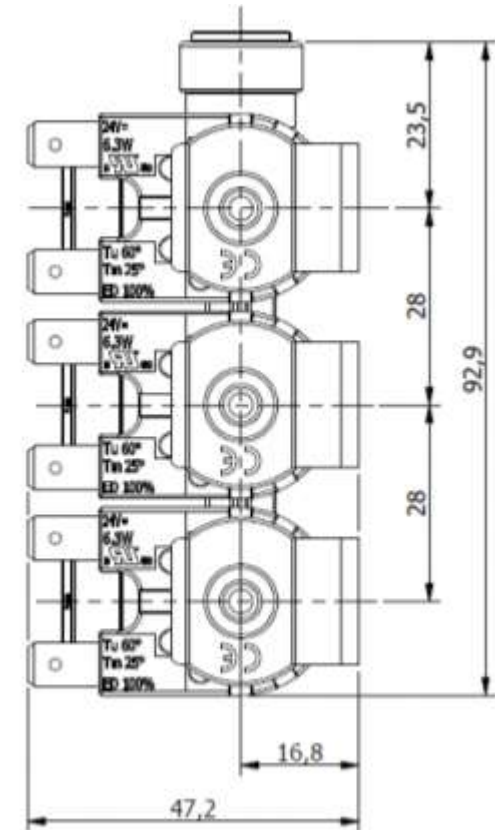
TD SERIES MANIFOLD TYPE

100%
MADE IN ITALY

14



TD2T
Direct Acting
Manifold Type
3xIN – 1xOUT





TD SERIES MANIFOLD TYPE



100%
MADE IN ITALY

15

Model (*)	IN PUSH FIT	OUT PUSH FIT	Nominal Diameter Ø mm	Medium Temp. Tm	Working Pressure Bar [PSI]	Duty Cycle	Power Supply
TD2D G3	2x JG 6	JG 6	Ø1.5 Ø2.0 Ø 2.5	75°C 261°F	Min 0 Bar Max 8 Bar Min 0 psi Max 116 psi	ED 100%	24VDC 24VAC 24VDC UL 24VAC UL 230V
TD2D L4	2x JG 8	JG 8					
TD2D H1	2x JG 1/4"	JG 1/4"					
TD2T G3	3x JG 6	JG 6					
TD2T L4	3x JG 8	JG 8					
TD2T H1	3x JG 1/4"	JG 1/4"					

(*) For detailed information refer to valve's technical data sheet – www.rpesrl.it



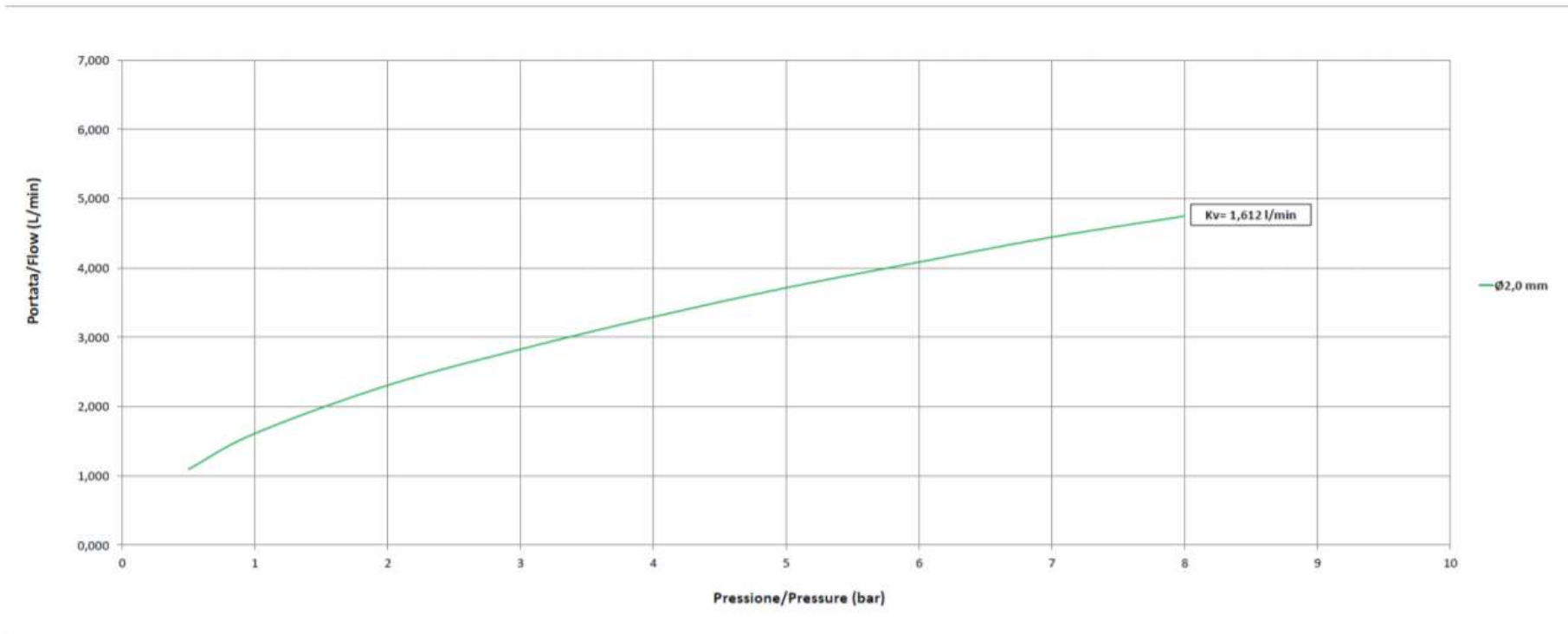
TD SERIES MANIFOLD TYPE



100%
MADE IN ITALY

16

Flow Rate \varnothing 2mm





NOTHING GREAT HAS EVER BEEN DONE WITHOUT PASSION

17

Thanks for your attention



www.rpesrl.it